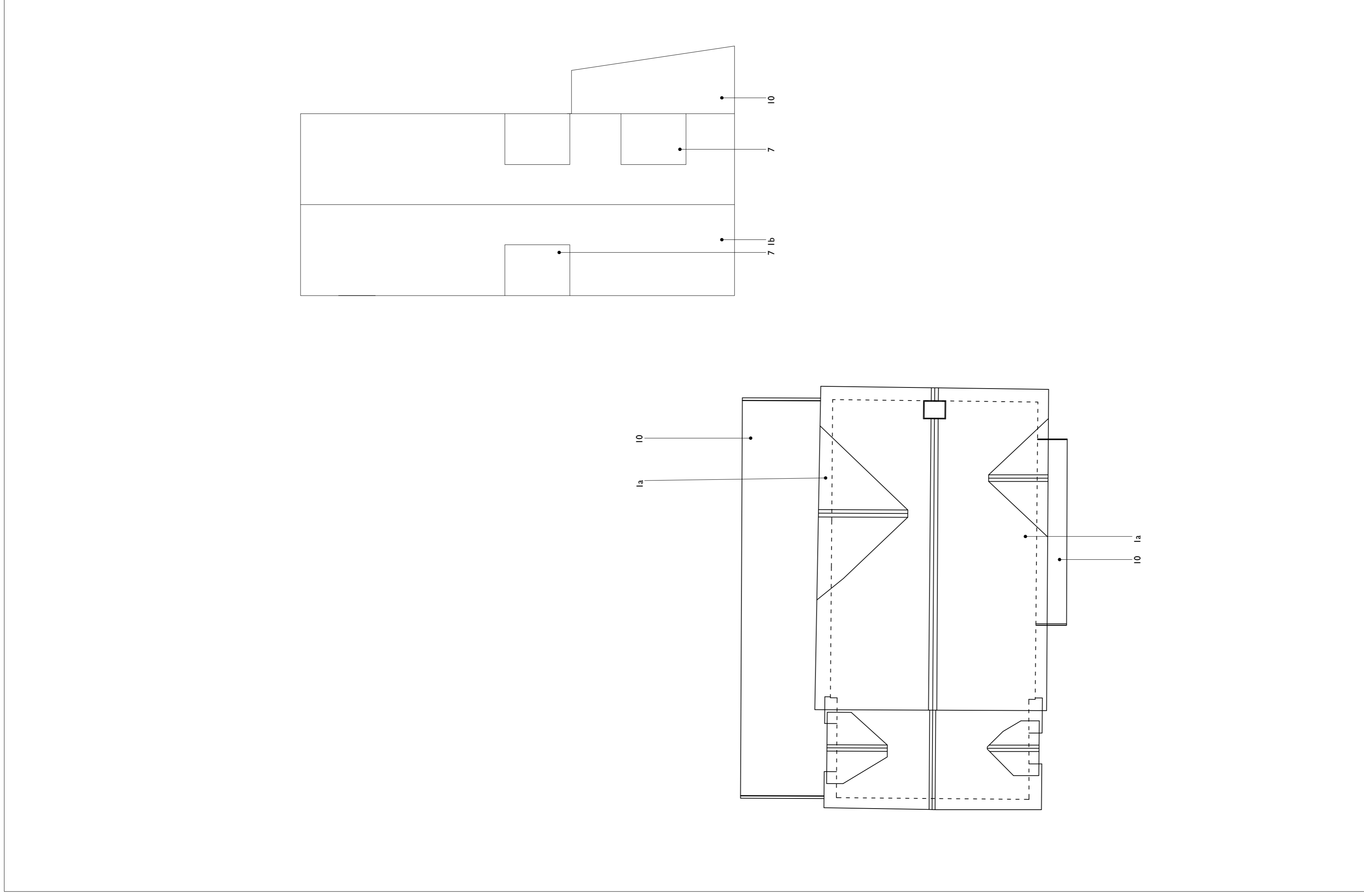


DISCLAIMER
 1. All rights reserved. No part of this document may be reproduced without the prior written permission of Blunn Architects.
 2. No dimensions to be used for construction.
 3. All dimensions are to be taken from the finished work.
 4. All dimensions are to be taken from the finished work.
 5. All dimensions are to be taken from the finished work.
 6. All dimensions are to be taken from the finished work.
 7. All dimensions are to be taken from the finished work.
 8. All dimensions are to be taken from the finished work.
 9. All dimensions are to be taken from the finished work.
 10. All dimensions are to be taken from the finished work.
 11. All dimensions are to be taken from the finished work.
 12. All dimensions are to be taken from the finished work.
 13. All dimensions are to be taken from the finished work.

Notes:

Key

- 1a existing clay roof tiles
- 1b proposed slate
- 2 grey facing brickwork
- 3 vertical timber cladding
- 4 white render
- 5 Dark grey flashing / coping
- 6 Dark grey aluminium windows
- 7 Dark grey aluminium cladding panels
- 8 timber finish
- 9 stone/concrete capping
- 10 flat roof
- 11 rooflight
- 12 black painted bargeboard
- 13 PVC windows & doors



01 Existing Roof Plan 1:100

FOR PLANNING

NO.	DATE	DESCRIPTION	BY

BLUNN. ARCHITECTS

Forward Studio
 Cowley Road
 Winchester
 SO22 4JT
 mail@blunnarchitects.com
 Tel: 01962 275205
 07977 148516

Sunnyside House
 Ampfield Hill, Romsey

Existing Roof Plan

Scale 1:100 @ A1 / 1:200 @ A3

P1.069-A-PLN-201